

24 Vdc basic power supply



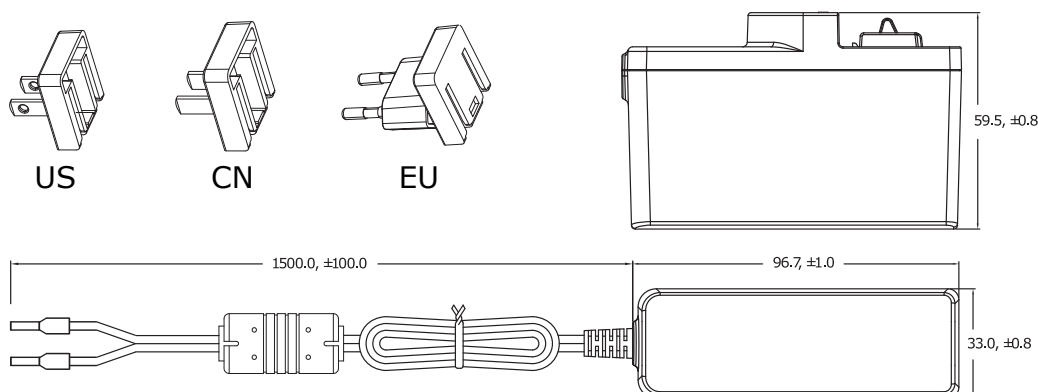
- Universal AC input
- EU, US and CN AC inlet plug available
- Short circuit protection
- Fully enclosed plastic housing
- No load power consumption < 0.1 W

Figure 1: mtv/ps/36e

Pin assignment

Pin	Voltage	Colour
1	+24 V	red band
2	0V	black wire

Technical Drawing



Technical data

DC voltage output	24 V
Rated current	1.5 A
Input voltage range	90 - 264 Vac
Frequency range	47 - 63 Hz
Dimensions (Body L x W x H)	97 mm x 60 mm x 34 mm
Weight	approx. 220 g
Operating temperature	0 °C to +60 °C
Operating humidity	5 % to 90 % RH non-condensing
MTBF	200 Khrs min. MIL-HDBK-217F (25 °C)

---

## Application

The power supply is used to provide the marco mTV basic kits *mtv/ba/kit\** with power.

Order number	Description
mtv/ps/36e	24 VDC power supply with EU power connector
mtv/ps/36ec	24 VDC power supply with Chinese power connector