

Foot pedal



The *sc/fuss.1w.3m* foot pedal with protective cover is an accessory in the BasicValve system.

Technical data

Connecting cable	3 m LiYY 2x0.5mm <sup>2</sup>
Switching voltage	230 Vac
Switching current	max. 3.5 A

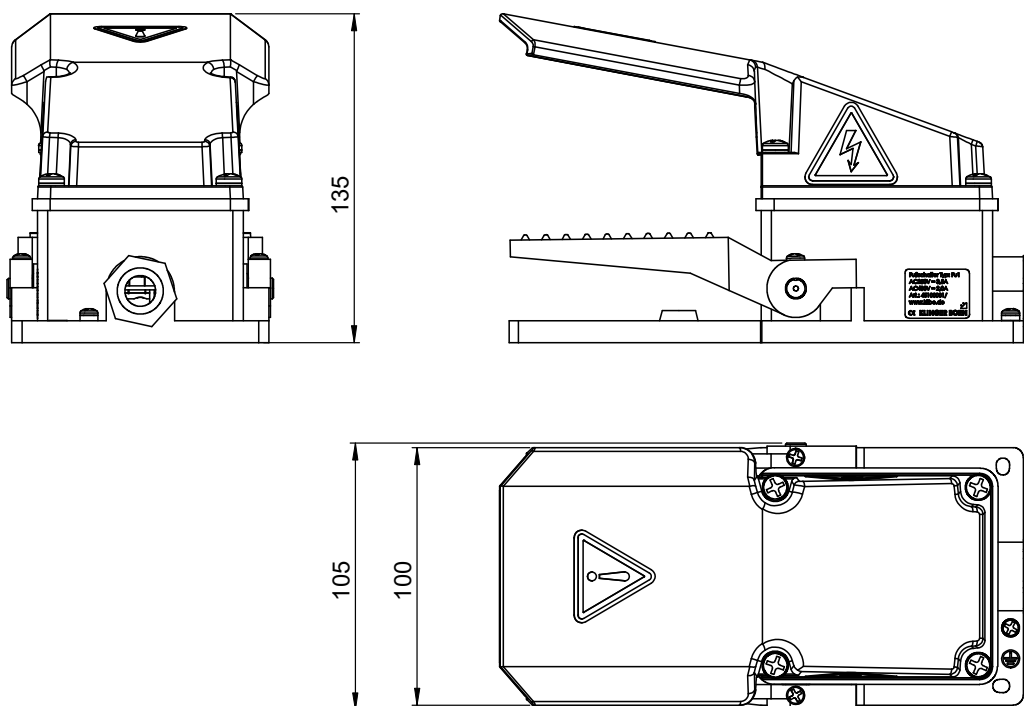


Figure 1: *sc/fuss.1w.3m*

Order number	Description
sc/fuss.1w.3m	Foot pedal with protective cover and connecting cable